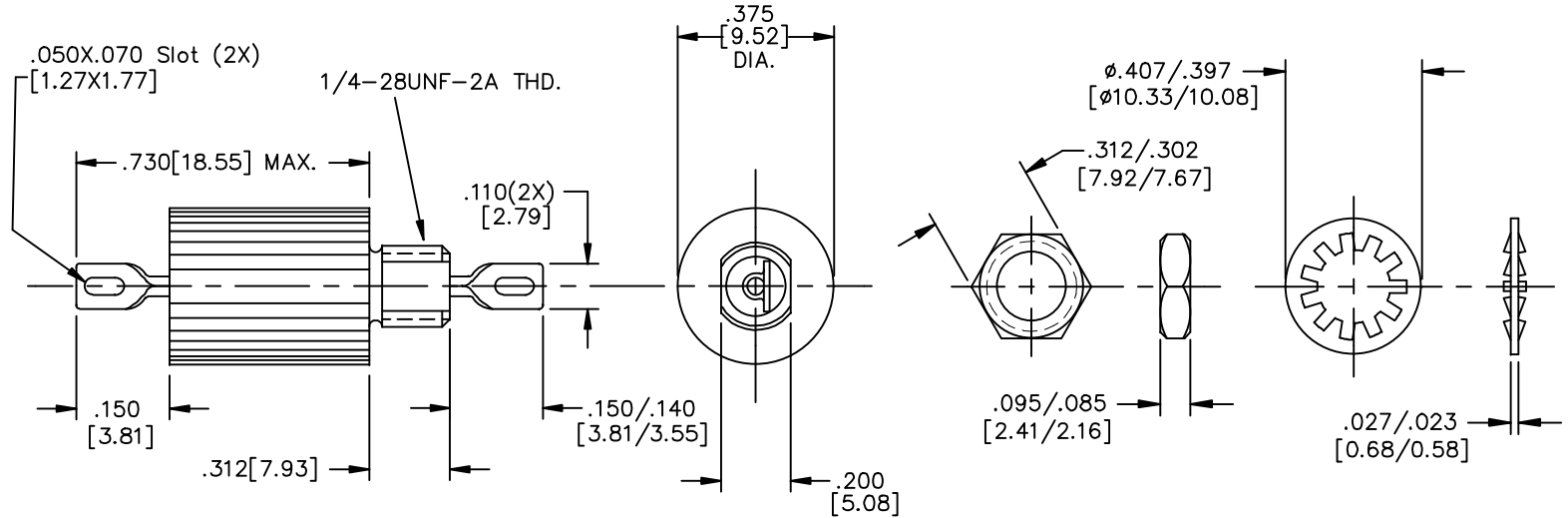


CASE FINISH	CURRENT (AMPS)	WORKING VOLTAGE				MAXIMUM DC RESISTANCE (OHMS)	MAXIMUM VOLTAGE DROP		MINIMUM CAPACITANCE (uF)	MIN. INSERTION LOSS PER MIL-STD-220, FULL LOAD, +25°C												
		-55°C TO +85°C		-55°C TO +125°C			DC	AC		14 KHz	30 KHz	50 KHz	75 KHz	100 KHz	150 KHz	300 KHz	500 KHz	1 MHz	10 MHz	100 MHz	1 GHz	10 GHz
		AC	DC	AC	DC																	
SOLDER	10	-----	50	---	28	0.01	0.10	---	---	15	---	---	---	28	31	---	42	56	---	70	---	

PART MARKING:
M15733/24-0006
L OLSP2 DATE CODE
28VDC 10A 125°C
51-353-067

PACKAGE MARKING:
STANDARD

MARKING NOTES:
N/A



SCHMATIC

MTG. HARDWARE

THIS PART IS CODED "NCA". API TECHNOLOGIES CORP. DOES NOT HAVE CHANGE AUTHORITY. CUSTOMER APPROVAL REQUIRED BEFORE PRODUCT/PROCESS CHANGES CAN BE MADE.



NOTES:

1) MOUNTING TORQUE NOT TO EXCEED 7in-lbs.

															19	18	17	16	REV. NO.	UNLESS OTHERWISE SPECIFIED DIMENSIONS ARE IN INCHES [MILLIMETERS] DO NOT SCALE THIRD ANGLE PROJECTION	TOLERANCES UNLESS OTHERWISE SPECIFIED Fractions ± Dec. .xx± Dec. .xxx± Angles ±0° 30'	CODE IDENT. NO. OLSP2	technologies corp.	FAIRVIEW PENNSYLVANIA			
															CN 64578-ENG	CN 59168-ENG	CN 185980	CN 183049	CHANGE NOTICE						Dwn. SLAGLE	Description Low Pass EMI Filter	
																									Date 8-20-12		51-353-067
																									Engr. McALEVY		
																									Sheet ___ of ___		

Quality Products From The Specialists In Electro-Magnetic Compatibility